

Learn the components of the development board setup

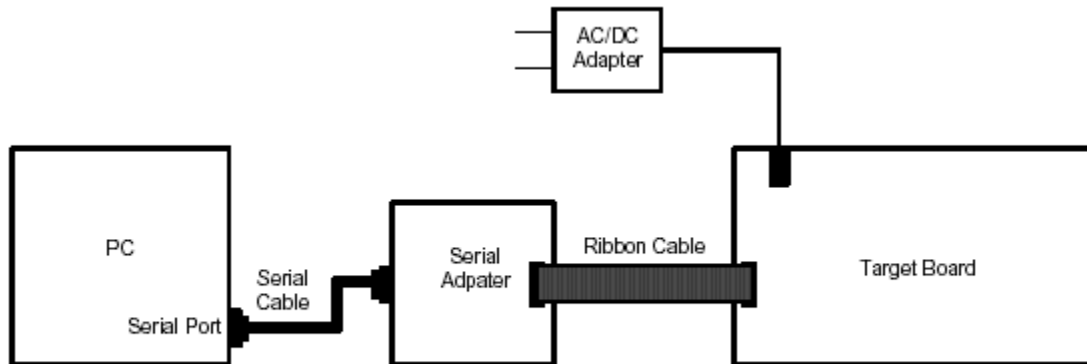


Figure 1. Hardware Setup

Serial Adapter: Converts serial RS232 protocol to JTAG protocol

- Program download via JTAG
- Debugging (setting breakpoints, examining memory, etc) vis JTAG

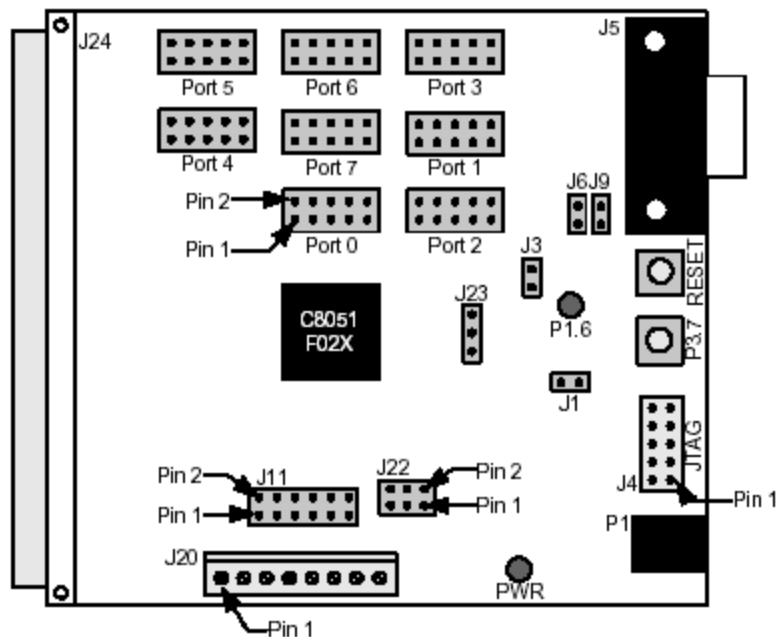


Figure 2. C8051F020 Target Board

Notice:

- JTAG connector
- Serial connector for serial communications
- Processor
- External oscillator (22.118MHz)
- LED (P1.6)
- Switches: RESET and P3.7
- Ports 0-7
- Blue connector for analog signals